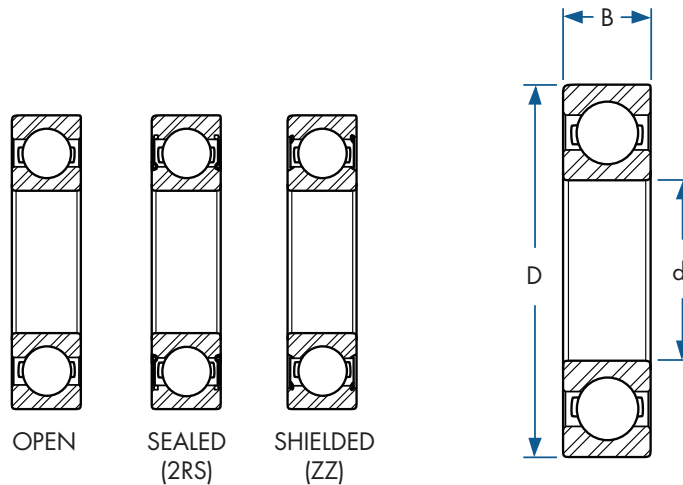


6900 Series



Bearing Size	Dimensions (mm)			Load Rating (lbs)		Limiting Speed (RPM)		
				Dynamic	Static	Grease		Oil
	d	D	B	Cr	Cor	2RS	ZZ/OPEN	OPEN
6900	10	22	6	605	286	22,800	32,000	38,000
6901	12	24	6	650	330	21,600	30,000	36,000
6902	15	28	7	970	510	18,000	26,000	30,000
6903	17	30	7	1,031	577	16,800	24,000	28,000
6904	20	37	9	1,430	825	13,800	19,000	23,000
6905	25	42	9	1,570	1,021	11,400	16,000	19,000
6906	30	47	9	1,630	1,130	10,200	14,000	17,000
6907	35	55	10	2,450	1,758	9,000	12,000	15,000
6908	40	62	12	3,075	2,241	7,800	11,000	13,000
6909	45	68	12	3,170	2,430	7,200	9,800	12,000
6910	50	72	12	3,500	2,750	6,600	8,900	11,000
6911	55	80	13	3,590	2,970	5,760	8,200	9,600
6912	60	85	13	4,360	3,650	5,340	7,600	8,900
6913	65	90	13	3,890	3,610	4,920	7,000	8,200
6914	70	100	16	5,320	4,750	4,620	6,500	7,700
6915	75	105	16	5,460	5,060	4,440	6,100	7,400
6916	80	110	16	5,590	5,390	4,020	5,700	6,700
6917	85	120	18	7,150	6,600	3,780	5,400	6,300
6918	90	125	18	7,370	7,040	3,600	5,100	6,000
6919	95	130	18	7,590	7,480	3,420	4,800	5,700
6920	100	140	20	9,570	9,350	3,180	4,500	5,300
6921	105	145	20	9,790	9,460	3,180	4,300	5,300
6922	110	150	20	11,900	10,000	3,000	4,300	5,000
6924	120	165	22	14,600	12,100	2,640	3,800	4,400
6926	130	180	24	14,600	15,100	2,460	3,500	4,100
6928	140	190	24	15,000	16,100	2,280	3,200	3,800
6930	150	210	28	19,000	20,200	2,100	3,000	3,500
6932	160	220	28	19,500	21,600	1,980	2,800	3,300
6934	170	230	28	19,300	21,700	1,860	2,600	3,100
6936	180	250	33	26,600	28,800	1,740	2,400	2,900
6938	190	260	33	25,300	28,600	1,620	2,300	2,700
6940	200	280	38	32,100	35,400	1,560	2,200	2,600